

DAC8412/DAC8413

FEATURES

- +5 to ±15 Volt Operation
- Unipolar or Bipolar Operation
- True Voltage Output
- Double-Buffered Inputs
- Reset to Min or Center Scale
- Fast Bus Access Time
- Readback

APPLICATIONS

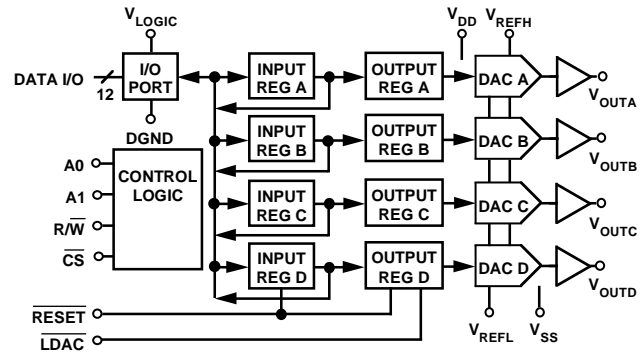
- Automatic Test Equipment
- Digitally Controlled Calibration
- Servo Controls
- Process Control Equipment

GENERAL DESCRIPTION

The DAC8412 and DAC8413 are quad, 12-bit voltage output DACs with readback capability. Built using a complementary BiCMOS process, these monolithic DACs offer the user very high package density.

Output voltage swing is set by the two reference inputs V_{REFH} and V_{REFL} . By setting the V_{REFL} input to 0 volts and V_{REFH} to a positive voltage, the DAC will provide a unipolar positive output range. A similar configuration with V_{REFH} at 0 volts and V_{REFL} at a negative voltage will provide a unipolar negative output range. Bipolar outputs are configured by connecting both V_{REFH} and V_{REFL} to nonzero voltages. This method of setting output voltage range has advantages over other bipolar offsetting methods because it is not dependent on internal and external resistors with different temperature coefficients.

FUNCTIONAL BLOCK DIAGRAM

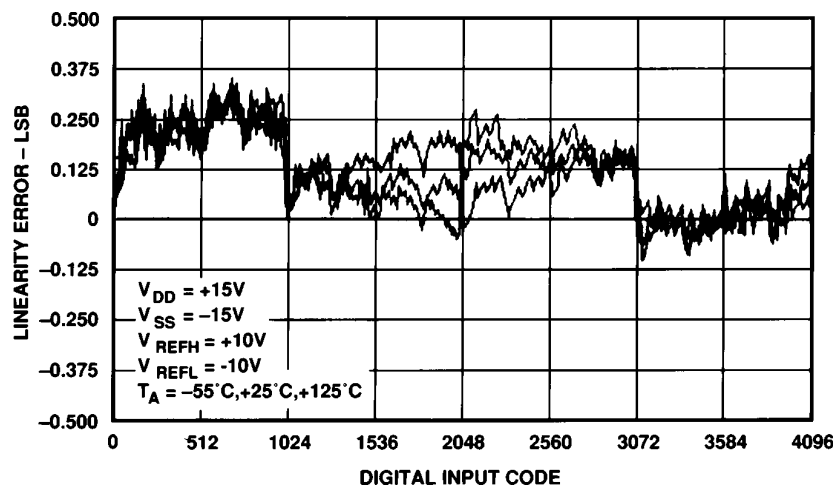


Digital controls allow the user to load or read back data from any DAC, load any DAC and transfer data to all DACs at one time.

An active low \overline{RESET} loads all DAC output registers to mid-scale for the DAC8412 and zero scale for the DAC8413.

The DAC8412/DAC8413 are available in 28-pin plastic DIP, cerdip, PLCC and LCC packages. They can be operated from a wide variety of supply and reference voltages with supplies ranging from single +5 volt to ±15 volts, and references from +2.5 to ±10 volts. Power dissipation is less than 330 mW with ±15 volt supplies and only 60 mW with a +5 volt supply.

For MIL-STD-883 applications, contact your local ADI sales office for the DAC8412/DAC8413/883 data sheet which specifies operation over the -55°C to +125°C temperature range. All 883 parts are also available on Standard Military Drawings 5962-91-76401MXA through -76404M3A.



INL vs. Code Over Temperature

REV. C

Information furnished by Analog Devices is believed to be accurate and reliable. However, no responsibility is assumed by Analog Devices for its use, nor for any infringements of patents or other rights of third parties which may result from its use. No license is granted by implication or otherwise under any patent or patent rights of Analog Devices.

DAC8412/DAC8413—SPECIFICATIONS

ELECTRICAL CHARACTERISTICS (@ $V_{DD} = +15.0\text{ V}$, $V_{SS} = -15.0\text{ V}$, $V_{LOGIC} = +5.0\text{ V}$, $V_{REFH} = +10.0\text{ V}$, $V_{REFL} = -10.0\text{ V}$, $-40^{\circ}\text{C} \leq T_A \leq +85^{\circ}\text{C}$ unless otherwise noted. See Note 1 for supply variations.)

Parameter	Symbol	Conditions	Min	Typ	Max	Units
Integral Linearity “E”	INL			0.25	± 0.5	LSB
Integral Linearity “F”	INL				± 1	LSB
Differential Linearity	DNL	Monotonic Over Temperature	-1			LSB
Min Scale Error	V_{ZSE}	$R_L = 2\text{ k}\Omega$			± 2	LSB
Full-Scale Error	V_{FSE}	$R_L = 2\text{ k}\Omega$			± 2	LSB
Min Scale Tempco	TCV_{ZSE}	$R_L = 2\text{ k}\Omega$		15		ppm/ $^{\circ}\text{C}$
Full-Scale Tempco	TCV_{FSE}	$R_L = 2\text{ k}\Omega$		20		ppm/ $^{\circ}\text{C}$
MATCHING PERFORMANCE						
Linearity Matching				± 1		LSB
REFERENCE						
Positive Reference Input Range		Note 2	$V_{REFL} + 2.5$		$V_{DD} - 2.5$	V
Negative Reference Input Range		Note 2	-10		$V_{REFH} - 2.5$	V
Reference High Input Current	I_{REFH}		-2.75	+1.5	+2.75	mA
Reference Low Input Current	I_{REFL}		0	+2	+2.75	mA
AMPLIFIER CHARACTERISTICS						
Output Current	I_{OUT}		-5		+5	mA
Settling Time	t_S	to 0.01%		6		μs
Slew Rate	SR	10% to 90%		2.2		V/ μs
LOGIC CHARACTERISTICS						
Logic Input High Voltage	V_{INH}	$T_A = +25^{\circ}\text{C}$	2.4			V
Logic Input Low Voltage	V_{INL}	$T_A = +25^{\circ}\text{C}$			0.8	V
Logic Output High Voltage	V_{OH}	$I_{OH} = +0.4\text{ mA}$	2.4			V
Logic Output Low Voltage	V_{OL}	$I_{OL} = -1.6\text{ mA}$			0.4	V
Logic Input Current	I_{IN}				1	μA
Input Capacitance	C_{IN}			8		pF
Crosstalk				>72		dB
Large Signal Bandwidth		-3 dB, $V_{REFH} = 0$ to +10 V p-p		160		kHz
LOGIC TIMING CHARACTERISTICS						
WRITE						
Chip Select Write Pulse Width	t_{WCS}		80	40		ns
Write Setup	t_{WS}	$t_{WCS} = 80\text{ ns}$	0			ns
Write Hold	t_{WH}	$t_{WCS} = 80\text{ ns}$	0			ns
Address Setup	t_{AS}		0			ns
Address Hold	t_{AH}		0			ns
Load Setup	t_{LS}		70	30		ns
Load Hold	t_{LH}		30	10		ns
Write Data Setup	t_{WDS}	$t_{WCS} = 80\text{ ns}$	20			ns
Write Data Hold	t_{WDH}	$t_{WCS} = 80\text{ ns}$	0			ns
Load Pulse Width	t_{LWD}		170	130		ns
Reset Pulse Width	t_{RESET}		140	100		ns
READ						
Chip Select Read Pulse Width	t_{RCS}		130	100		ns
Read Data Hold	t_{RDH}	$t_{RCS} = 130\text{ ns}$	0			ns
Read Data Setup	t_{RDS}	$t_{RCS} = 130\text{ ns}$	0			ns
Data to Hi Z	t_{DZ}	$C_L = 10\text{ pF}$		150		ns
Chip Select to Data	t_{CSD}	$C_L = 100\text{ pF}$		120	160	ns
SUPPLY CHARACTERISTICS						
Power Supply Sensitivity	PSS	$14.25\text{ V} \leq V_{DD} \leq 15.75\text{ V}$			150	ppm/V
Positive Supply Current	I_{DD}	$V_{REFH} = +2.5\text{ V}$		8.5	12	mA
Negative Supply Current	I_{SS}		-10	-6.5		mA
Power Dissipation	P_{DISS}				330	mW

NOTES

¹All supplies can be varied $\pm 5\%$, and operation is guaranteed. Device is tested with nominal supplies.

²Operation is guaranteed over this reference range, but linearity is neither tested nor guaranteed.

³All input control signals are specified with $t_r = t_f = 5\text{ ns}$ (10% to 90% of +5 V) and timed from a voltage level of 1.6 V.

Specifications subject to change without notice.

DAC8412/DAC8413

(@ $V_{DD} = V_{LOGIC} = +5.0\text{ V} \pm 5\%$, $V_{SS} = 0.0\text{ V}$, $V_{REFH} = +2.5\text{ V}$, $V_{REFL} = 0.0\text{ V}$, and $V_{SS} = -5.0\text{ V} \pm 5\%$, $V_{REFL} = -2.5\text{ V}$, $-40^\circ\text{C} \leq T_A \leq +85^\circ\text{C}$ unless otherwise noted. See Note 1 for supply variations.)

ELECTRICAL CHARACTERISTICS

Parameter	Symbol	Conditions	Min	Typ	Max	Units
Integral Linearity "E"	INL			1/2	± 1	LSB
Integral Linearity "F"	INL				± 2	LSB
Integral Linearity "E"	INL	$V_{SS} = 0.0\text{ V}$; Note 2			± 2	LSB
Integral Linearity "F"	INL	$V_{SS} = 0.0\text{ V}$; Note 2			± 4	LSB
Differential Linearity	DNL	Monotonic Over Temperature	-1			LSB
Min Scale Error	V_{ZSE}	$V_{SS} = -5.0\text{ V}$			± 4	LSB
Full-Scale Error	V_{FSE}	$V_{SS} = -5.0\text{ V}$			± 4	LSB
Min Scale Error	V_{ZSE}	$V_{SS} = 0.0\text{ V}$			± 8	LSB
Full-Scale Error	V_{FSE}	$V_{SS} = 0.0\text{ V}$			± 8	LSB
Min Scale Tempco	TCV_{ZSE}			100		ppm/ $^\circ\text{C}$
Full-Scale Tempco	TCV_{FSE}			100		ppm/ $^\circ\text{C}$
MATCHING PERFORMANCE						
Linearity Matching				± 1		LSB
REFERENCE						
Positive Reference Input Range		Note 3	$V_{REFL} + 2.5$		$V_{DD} - 2.5$	V
Negative Reference Input Range		$V_{SS} = 0.0\text{ V}$	0		$V_{REFH} - 2.5$	V
Negative Reference Input Range		$V_{SS} = -5.0\text{ V}$	-2.5		$V_{REFH} - 2.5$	V
Reference High Input Current	I_{REFH}	Code 000H	-1.0		+1.0	mA
AMPLIFIER CHARACTERISTICS						
Output Current	I_{OUT}		-1.25		+1.25	mA
Settling Time	t_S	to 0.01%		6		μs
Slew Rate	SR	10% to 90%		2.2		V/ μs
LOGIC CHARACTERISTICS						
Logic Input High Voltage	V_{INH}	$T_A = +25^\circ\text{C}$	2.4			V
Logic Input Low Voltage	V_{INL}	$T_A = +25^\circ\text{C}$			0.8	V
Logic Output High Voltage	V_{OH}	$I_{OH} = +0.4\text{ mA}$	2.4			V
Logic Output Low Voltage	V_{OL}	$I_{OL} = -1.6\text{ mA}$			0.45	V
Logic Input Current	I_{IN}				1	μA
Input Capacitance	C_{IN}			8		pF
LOGIC TIMING CHARACTERISTICS						
WRITE						
Chip Select Write Pulse Width	t_{WCS}		150	90		ns
Write Setup	t_{WS}	$t_{WCS} = 150\text{ ns}$	0			ns
Write Hold	t_{WH}	$t_{WCS} = 150\text{ ns}$	0			ns
Address Setup	t_{AS}		0			ns
Address Hold	t_{AH}		0			ns
Load Setup	t_{LS}		70	30		ns
Load Hold	t_{LH}		50	20		ns
Write Data Setup	t_{WDS}	$t_{WCS} = 150\text{ ns}$	20			ns
Write Data Hold	t_{WDH}	$t_{WCS} = 150\text{ ns}$	0			ns
Load Pulse Width	t_{LWD}		180	130		ns
Reset Pulse Width	t_{RESET}		150	110		ns
READ						
Chip Select Read Pulse Width	t_{RCS}		170	120		ns
Read Data Hold	t_{RDH}	$t_{RCS} = 170\text{ ns}$	20			ns
Read Data Setup	t_{RDS}	$t_{RCS} = 170\text{ ns}$	0			ns
Data to Hi Z	t_{DZ}	$C_L = 10\text{ pF}$		200		ns
Chip Select to Data	t_{CSD}	$C_L = 100\text{ pF}$		220	320	ns
SUPPLY CHARACTERISTICS						
Power Supply Sensitivity	PSS			100		ppm/V
Positive Supply Current	I_{DD}			7	12	mA
Negative Supply Current	I_{SS}	$V_{SS} = -5.0\text{ V}$	-10			mA

NOTES

¹All supplies can be varied $\pm 5\%$, and operation is guaranteed. Device is tested with $V_{DD} = +4.75\text{ V}$.

²For single supply operation only ($V_{REFL} = 0.0\text{ V}$, $V_{SS} = 0.0\text{ V}$): Due to internal offset errors, INL and DNL are measured beginning at code 2 (002_H).

³Operation is guaranteed over this reference range, but linearity is neither tested nor guaranteed.

⁴All input control signals are specified with $t_r = t_f = 5\text{ ns}$ (10% to 90% of $+5\text{ V}$) and timed from a voltage level of 1.6 V .

Specifications subject to change without notice.

DAC8412/DAC8413

WAFER TEST LIMITS (@ $V_{DD} = +15.0\text{ V}$, $V_{SS} = -15.0\text{ V}$, $V_{LOGIC} = +5.0\text{ V}$, $V_{REFH} = +10.0\text{ V}$, $V_{REFL} = -10.0\text{ V}$, $T_A = +25^\circ\text{C}$ unless otherwise noted.)

Parameter	Symbol	Conditions	DAC8412GBC DAC8413GBC Limit	Units
Integral Nonlinearity	INL		± 1	LSB max
Differential Nonlinearity	DNL		± 1	LSB max
Min Scale Offset	V_{ZSE}		± 1	LSB max
Full-Scale Offset	V_{FSE}		± 1	LSB max
Logic Input High Voltage	V_{INH}		2.4	V min
Logic Input Low Voltage	V_{INL}		0.8	V max
Logic Input Current	I_{IN}		1	μA max
Logic Output High Voltage	V_{OH}	$I_{OH} = +0.4\text{ mA}$	2.4	V min
Logic Output Low Voltage	V_{OL}	$I_{OL} = -1.6\text{ mA}$	0.4	V max
Positive Supply Current	I_{DD}	$V_{REFH} = +2.5\text{ V}$	12	mA max
Negative Supply Current	I_{SS}		-10	mA min

NOTE
Electrical tests are performed at wafer probe to the limits shown. Due to variations in assembly methods and normal yield loss, yield after packaging is not guaranteed for standard product dice. Consult factory to negotiate specifications based on dice lot qualification through sample lot assembly and testing.

ABSOLUTE MAXIMUM RATINGS

($T_A = +25^\circ\text{C}$ unless otherwise noted)

V_{SS} to V_{DD}	-0.3 V, +33.0 V
V_{SS} to V_{LOGIC}	-0.3 V, +33.0 V
V_{LOGIC} to DGND	-0.3 V, +18.0 V
V_{SS} to V_{REFL}	-0.3 V, $+V_{SS}-2.0\text{ V}$
V_{REFH} to V_{DD}	+2.0 V, +33.0 V
V_{REFH} to V_{REFL}	+2.0 V, $V_{SS}-V_{DD}$
Current into Any Pin 4	$\pm 15\text{ mA}$
Digital Input Voltage to DGND	-0.3 V, $V_{LOGIC} + 0.3\text{ V}$
Digital Output Voltage to DGND	-0.3 V, +7.0 V
Operating Temperature Range	
ET, FT, EP, FP, FPC	-40°C to $+85^\circ\text{C}$
AT, BT, BTC	-55°C to $+125^\circ\text{C}$
Dice Junction Temperature	$+150^\circ\text{C}$
Storage Temperature	-65°C to $+150^\circ\text{C}$
Power Dissipation Package	1000 mW
Lead Temperature (Soldering, 60 sec)	$+300^\circ\text{C}$

Thermal Resistance

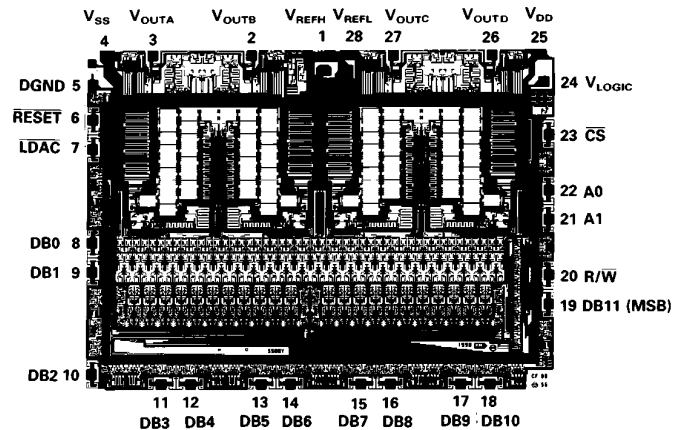
Package Type	θ_{JA}^*	θ_{JC}	Units
28-Pin Hermetic DIP (T)	50	7	$^\circ\text{C}/\text{W}$
28-Pin Plastic DIP (P)	48	22	$^\circ\text{C}/\text{W}$
28-Lead Hermetic Leadless Chip Carrier (TC)	70	28	$^\circ\text{C}/\text{W}$
28-Lead Plastic Leaded Chip Carrier (PC)	63	25	$^\circ\text{C}/\text{W}$

NOTE
 θ_{JA}^* is specified for worst case mounting conditions, i. e., θ_{JA} is specified for device in socket.

CAUTION

- Stresses above those listed under "Absolute Maximum Ratings" may cause permanent damage to the device. This is a stress rating only and functional operation at or above this specification is not implied. Exposure to the above maximum rating conditions for extended periods may affect device reliability.
- Digital inputs and outputs are protected, however, permanent damage may occur on unprotected units from high-energy electrostatic fields. Keep units in conductive foam or packaging at all times until ready to use. Use proper antistatic handling procedures.
- Remove power before inserting or removing units from their sockets.
- Analog outputs are protected from short circuit to ground or either supply.

DICE CHARACTERISTICS



DIE SIZE 0.225 x 0.165 INCH, 37,125 SQ. MILS
(5.715 x 4.191 mm, 23.95 sq. mm)

DIE SUBSTRATE IS CONNECTED TO V_{DD}



DAC8412/DAC8413

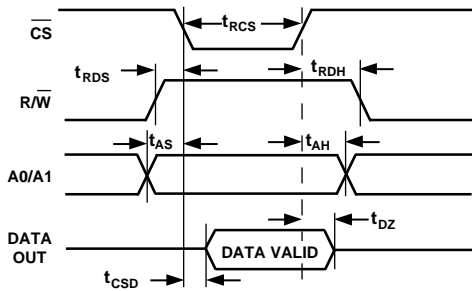
ORDERING INFORMATION¹

INL (LSB)	Military ² Temperature -55°C to +125°C	Extended Industrial ² Temperature -40°C to +85°C	Package	Package Option
±1		DAC8412FPC	PLCC	P-28A
±1.5	DAC8412BTC/883		LCC	E-28A
±0.5		DAC8412ET	Cerdip	Q-28
±0.75	DAC8412AT/883		Cerdip	Q-28
±1		DAC8412FT	Cerdip	Q-28
±1.5	DAC8412BT/883		Cerdip	Q-28
±0.5		DAC8412EP	Plastic	N-28
±1		DAC8412FP	Plastic	N-28
±1		DAC8412GBC	Dice	
±1		DAC8413FPC	PLCC	P-28A
±1.5	DAC8413BTC/883		LCC	E-28A
±0.5		DAC8413ET	Cerdip	Q-28
±0.75	DAC8413AT/883		Cerdip	Q-28
±1		DAC8413FT	Cerdip	Q-28
±1.5	DAC8413BT/883		Cerdip	Q-28
±0.5		DAC8413EP	Plastic	N-28
±1		DAC8413FP	Plastic	N-28
±1		DAC8413GBC	Dice	

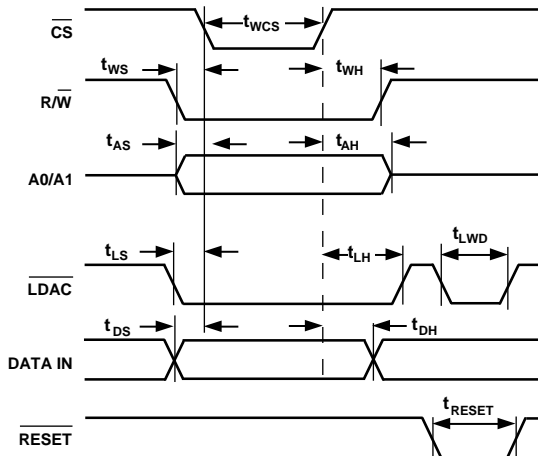
NOTES

¹Burn-in is available on extended industrial temperature range parts in cerdip.

²A complete /883 data sheet is available. For availability and burn-in information, contact your local sales office.

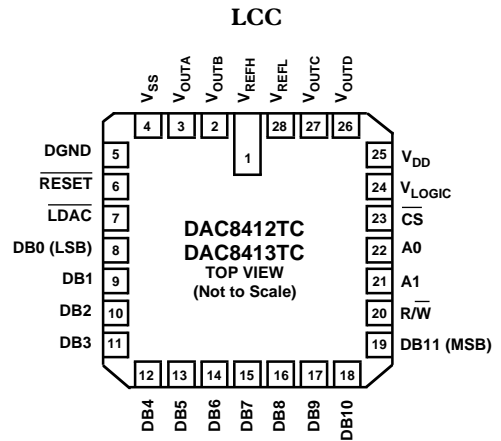
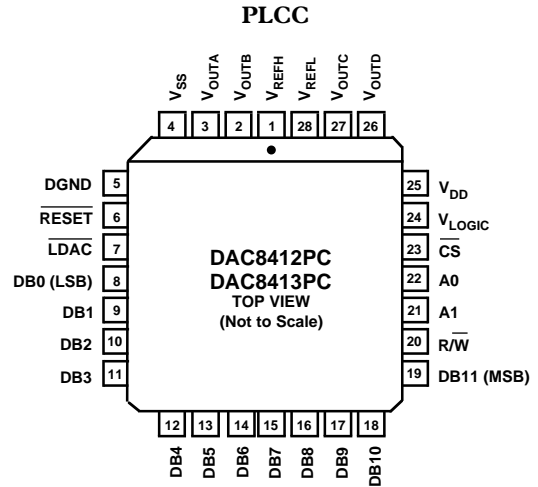
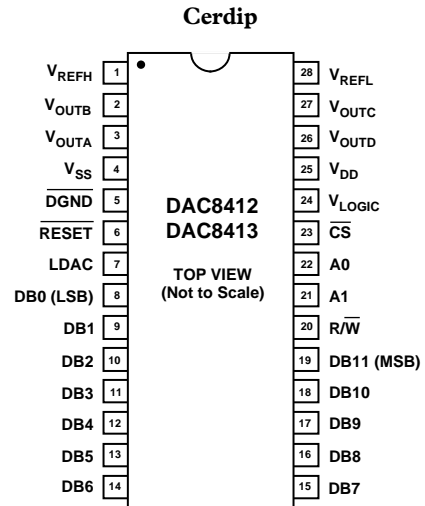


Data Output (Read) Timing

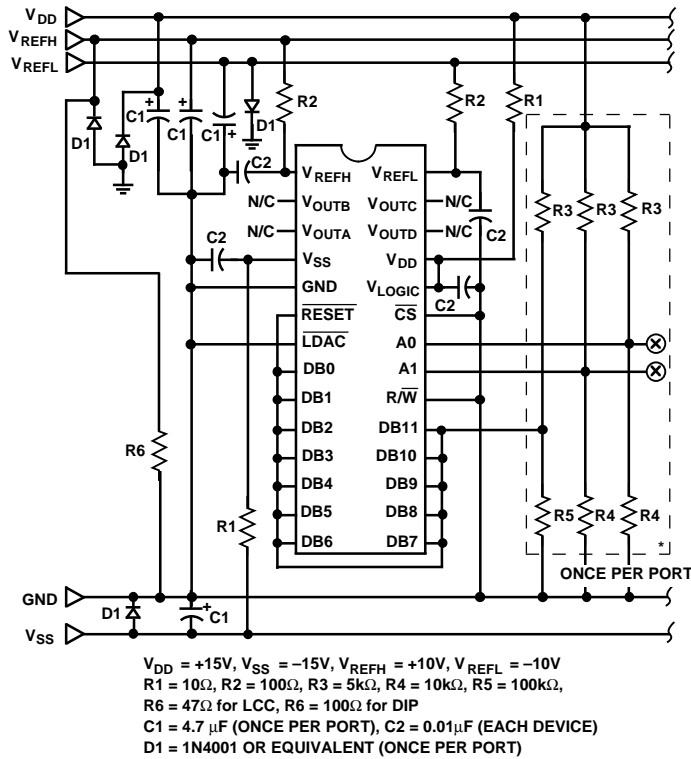


Data WRITE (Input and Output Registers) Timing

PIN CONFIGURATIONS



DAC8412/DAC8413



DAC8412/DAC8413 Burn-In Diagram

OPERATION

Introduction

The DAC8412 and DAC8413 are quad, voltage output, 12-bit DACs featuring a 12-bit data bus with readback capability. The only differences between the DAC8412 and DAC8413 are the reset functions. The DAC8412 resets to midscale (code 800_H) and the DAC8413 resets to minimum scale (code 000_H).

The ability to operate from a single +5 volt only supply is a unique feature of these DACs.

Table I. DAC8412/DAC8413 Logic Table

A1	A0	R/W	CS	RS	LDAC	INPUT REG	OUTPUT REG	MODE	DAC
L	L	L	L	H	L	WRITE	WRITE	WRITE	A
L	H	L	L	H	L	WRITE	WRITE	WRITE	B
H	L	L	L	H	L	WRITE	WRITE	WRITE	C
H	H	L	L	H	L	WRITE	WRITE	WRITE	D
L	L	L	L	H	H	WRITE	HOLD	WRITE INPUT	A
L	H	L	L	H	H	WRITE	HOLD	WRITE INPUT	B
H	L	L	L	H	H	WRITE	HOLD	WRITE INPUT	C
H	H	L	L	H	H	WRITE	HOLD	WRITE INPUT	D
L	L	H	L	H	H	READ	HOLD	READ INPUT	A
L	H	H	L	H	H	READ	HOLD	READ INPUT	B
H	L	H	L	H	H	READ	HOLD	READ INPUT	C
H	H	H	L	H	H	READ	HOLD	READ INPUT	D
X	X	X	H	H	L	HOLD	Update all output registers		All
X	X	X	H	H	H	HOLD	HOLD	HOLD	All
X	X	X	X	L	X	*All registers reset to mid/zero-scale			All
X	X	X	H	f	X	*All registers latched to mid/zero-scale			All

*DAC8412 resets to midscale, and DAC8413 resets to zero scale. L = Logic Low; H = Logic High; X - Don't Care.

dividing the system into three separate functional groups: the digital I/O and logic, the digital to analog converters and the output amplifiers.

DACs

Each DAC is a voltage switched, high impedance ($R = 50 k\Omega$), R-2R ladder configuration. Each 2R resistor is driven by a pair of switches that connect the resistor to either V_{REFH} or V_{REFL} .

Reference Inputs

All four DACs share common reference high (V_{REFH}) and reference low (V_{REFL}) inputs. The voltages applied to these reference inputs set the output high and low voltage limits of all four of the DACs. Each reference input has voltage restrictions with respect to the other reference and to the power supplies. The V_{REFL} can be set at any voltage between V_{SS} and $V_{REFH} - 2.5$ volts, and V_{REFH} can be set to any value between $+V_{DD} - 2.5$ volts and $V_{REFL} + 2.5$ volts. Note that because of these restrictions the DAC8412 references cannot be inverted (i.e., V_{REFL} cannot be greater than V_{REFH}).

It is important to note that the DAC8412's V_{REFH} input both sinks and sources current. Also the input current of both V_{REFH} and V_{REFL} are code dependent. Many references have limited current sinking capability and must be buffered with an amplifier to drive V_{REFH} . The V_{REFL} has no such special requirements.

It is recommended that the reference inputs be bypassed with $0.2 \mu F$ capacitors when operating with ± 10 volt references.

Digital I/O

See Table I for digital control logic truth table. Digital I/O consists of a 12-bit wide bidirectional data bus, two register select inputs, A0 and A1, a R/\overline{W} input, a RESET input, a Chip Select (\overline{CS}), and a Load DAC (\overline{LDAC}) input. Control of the DACs and bus direction is determined by these inputs as shown in Table I. Digital data bits are labeled with the MSB defined as data bit "11" and the LSB as data bit "0." All digital pins are TTL/CMOS compatible.

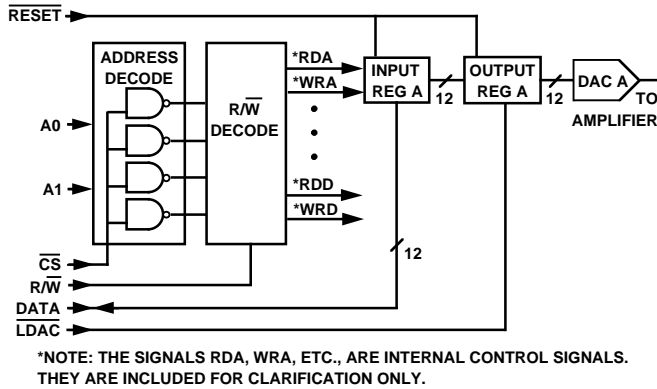


Figure 1. I/O Logic Diagram

See Figure 1 for a simplified I/O logic diagram. The register select inputs A0 and A1 select individual DAC registers "A" (binary code 00) through "D" (binary code 11). Decoding of the registers is enabled by the CS input. When CS is high no decoding takes place, and neither the writing nor the reading of the input registers is enabled. The loading of the second bank of registers is controlled by the LDAC input. By taking CS low while CS is high, all output registers can be updated simultaneously. Note that the t_{LWD} required pulse width for updating all DACs is a minimum of 170 ns.

The R/W input, when enabled by CS, controls the writing to and reading from the input register.

Coding

Both the DAC-8412 and DAC8413 use binary coding. The output voltage can be calculated by:

$$V_{OUT} = V_{REFL} + \frac{(V_{REFH} - V_{REFL}) * N}{4096}$$

where N is the digital code in decimal.

RESET

The RESET function can be used either at power-up or at any time during the DAC's operation. The RESET function is independent of CS. This pin is active LOW and sets the DAC output registers to either center code for the DAC8412, or zero code for the DAC8413. The reset to center code is most useful when the DAC is configured for bipolar references and an output of zero volts after reset is desired.

Supplies

Supplies required are V_{SS} , V_{DD} and V_{LOGIC} . The V_{SS} supply can be set between -15 volts and 0 volts. V_{DD} is the positive supply; its operating range is between +5 and +15 volts.

V_{LOGIC} is the digital output reference voltage for the readback function. It is normally connected to +5 volts. This pin is a logic reference input only. It does not supply current to the device. *If you are not using the readback function, V_{LOGIC} can be hardwired to V_{DD} .* While V_{LOGIC} does not supply current to the DAC8412, it does supply currents to the digital outputs when readback is used.

Amplifiers

Unlike many voltage output DACs, the DAC8412 features buffered voltage outputs. Each output is capable of both sourcing and sinking 5 mA at ± 10 volts, eliminating the need for external

amplifiers in most applications. These amplifiers are short circuit protected.

Careful attention to grounding is important to accurate operation of the DAC8412. This is not because the DAC8412 is more sensitive than other 12-bit DACs, but because with four outputs and two references there is greater potential for ground loops. Since the DAC8412 has no analog ground, the ground must be specified with respect to the reference.

Reference Configurations

Output voltage ranges can be configured as either unipolar or bipolar, and within these choices a wide variety of options exists. The unipolar configuration can be either positive or negative voltage output, and the bipolar configuration can be either symmetrical or nonsymmetrical.

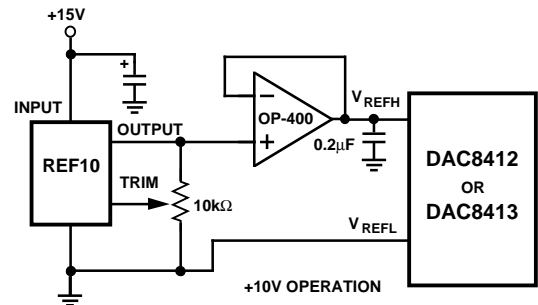


Figure 2. Unipolar +10 V Operation

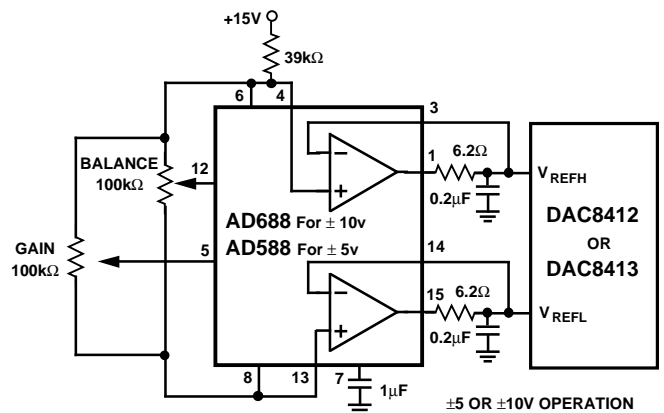


Figure 3. Symmetrical Bipolar Operation

Figure 3 (Symmetrical Bipolar Operation) shows the DAC8412 configured for ± 10 volt operation. *Note: See the AD688 data sheet for a full explanation of reference operation.* Adjustments may not be required for many applications since the AD688 is a very high accuracy reference. However if additional adjustments are required, adjust the DAC8412 full scale first. Begin by loading the digital full-scale code (FFF_H), and then adjust the Gain Adjust potentiometer to attain a DAC output voltage of 9.9976 volts. Then, adjust the Balance Adjust to set the center scale output voltage to 0.000 volts.

The 0.2 μ F bypass capacitors shown at the reference inputs in Figure 3 should be used whenever ± 10 volt references are used. Applications with single references or references to ± 5 volts may not require the 0.2 μ F bypassing. The 6.2 Ω resistor in series with the output of the reference amplifier is to keep the amplifier from oscillating with the capacitive load. We have

DAC8412/DAC8413

found that this is large enough to stabilize this circuit. Larger resistor values are acceptable, provided that the drop across the resistor doesn't exceed a V_{BE} . Assuming a minimum V_{BE} of 0.6 volts and a maximum current of 2.75 mA, then the resistor should be under 200 Ω for the loading of a single DAC8412.

Using two separate references is not recommended. Having two references could cause different drifts with time and temperature; whereas with a single reference, most drifts will track.

Unipolar positive full-scale operation can usually be set with a reference with the correct output voltage. This is preferable to using a reference and dividing down to the required value. For a 10 volt full-scale output, the circuit can be configured as shown in Figure 2. In this configuration the full-scale value is set first by adjusting the 10 k Ω resistor for a full-scale output of 9.9976 volts.

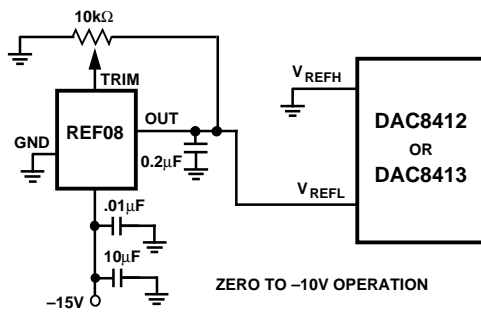


Figure 4. Unipolar -10 V Operation

Figure 4 shows the DAC8412 configured for -10 volt to zero volt operation. A REF08 with a -10 volt output is connected directly to V_{REFL} for the reference voltage.

Single +5 Volt Supply Operation

For operation with a +5 volt supply, the reference should be set between 1.0 and +2.5 volts for optimum linearity. Note that lower reference voltages will have greater effects due to noise. Figure 5 shows a REF43 used to supply a +2.5 volt reference voltage. The headroom of the reference and DAC are both sufficient to support a +5 volt supply with $\pm 5\%$ tolerance. V_{DD} and V_{LOGIC} should be connected to the same supply and separate bypassing to each pin should be used.

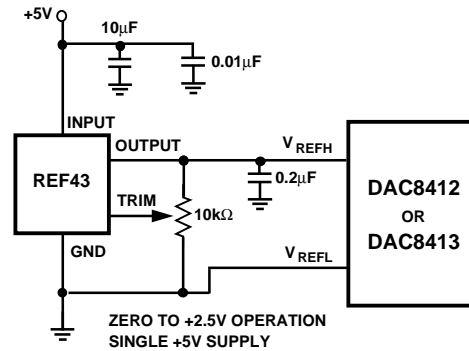
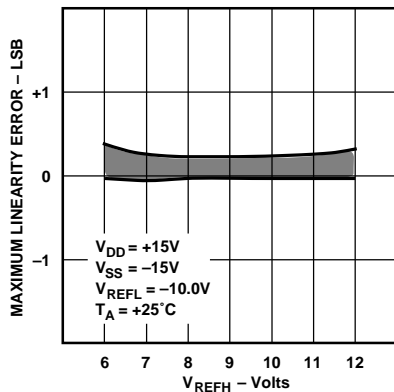
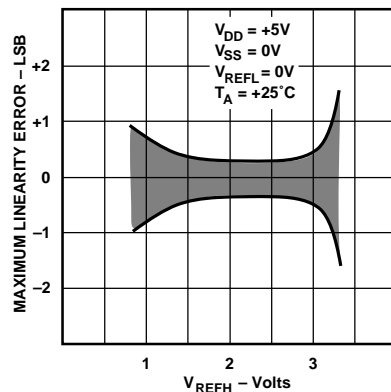


Figure 5. +5 V Single Supply Operation

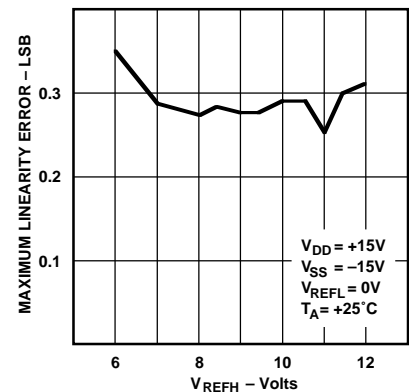
Typical Performance Characteristics



Differential Linearity vs. V_{REFH}

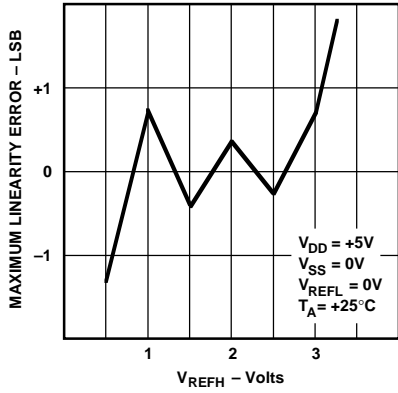


Differential Linearity vs. V_{REFH}

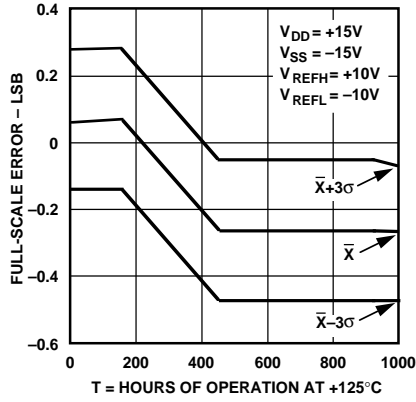


INL vs. V_{REFH}

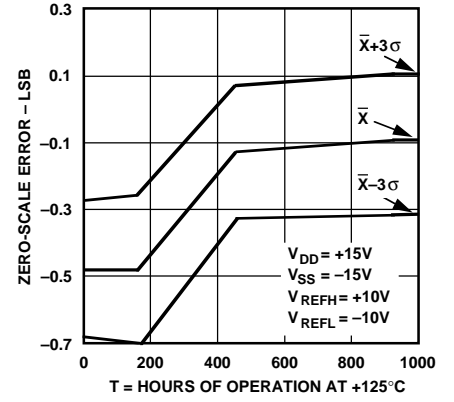
DAC8412/DAC8413



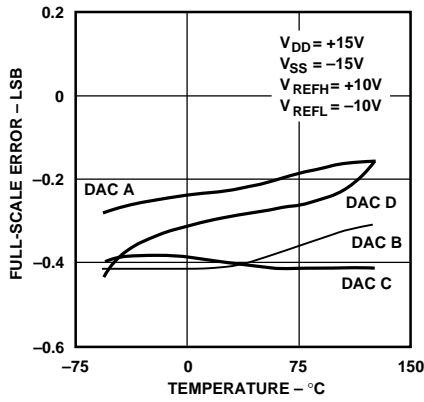
INL vs. V_{REFH}



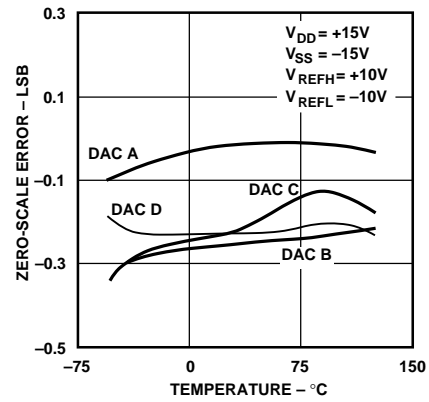
Full-Scale Error vs. Time Accelerated by Burn-In



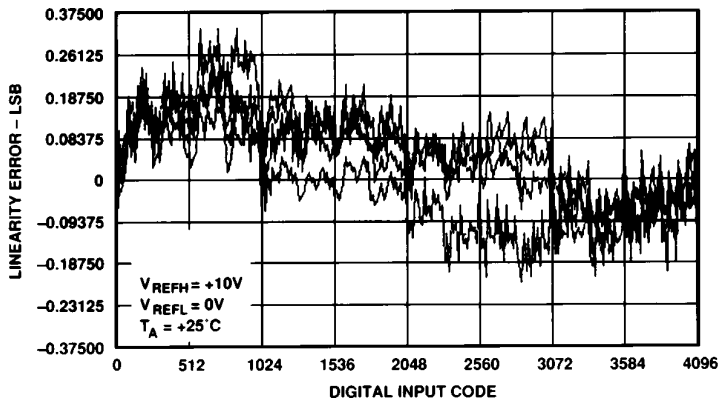
Zero-Scale Error vs. Time Accelerated by Burn-In



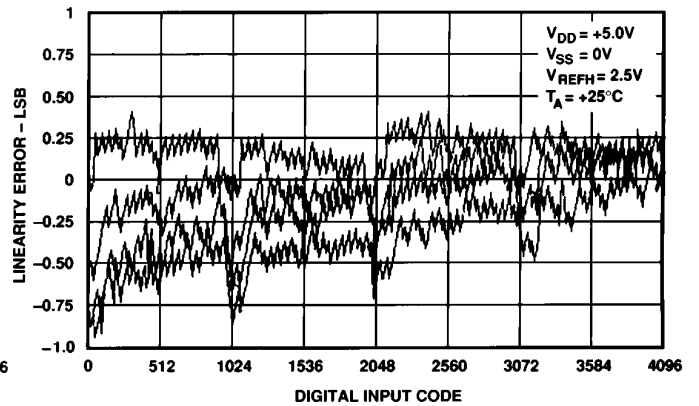
Full-Scale Error vs. Temperature



Zero-Scale Error vs. Temperature

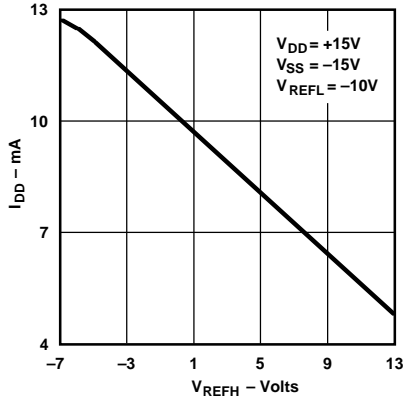


Channel-to-Channel Matching ($V_{SUPPLY} = \pm 15 V$)

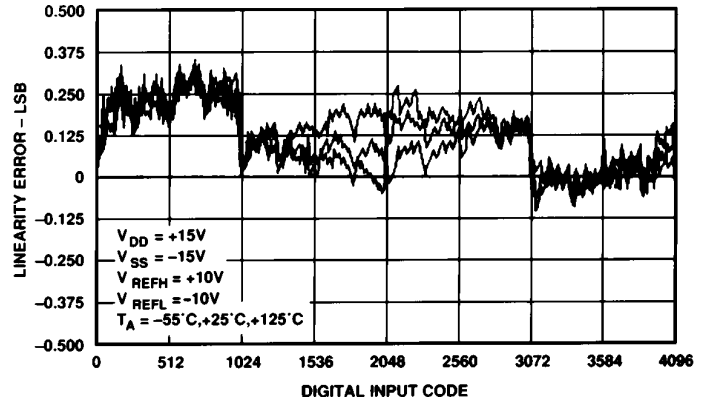


Channel-to-Channel Matching ($V_{SUPPLY} = +5 V$)

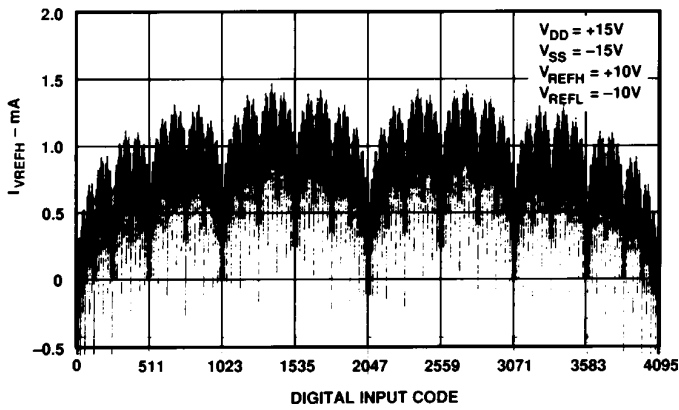
DAC8412/DAC8413



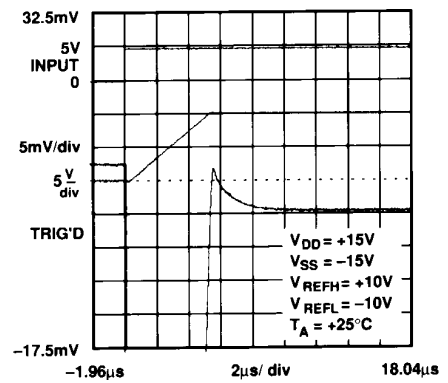
I_{DD} vs. V_{REFH} All DACs High



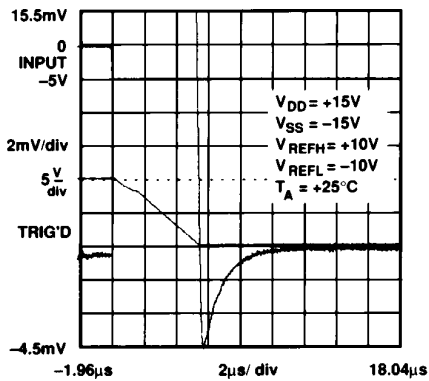
I_{NL} vs. Code



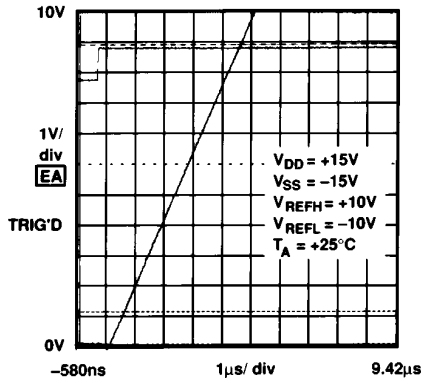
I_{VREFH} vs. Code



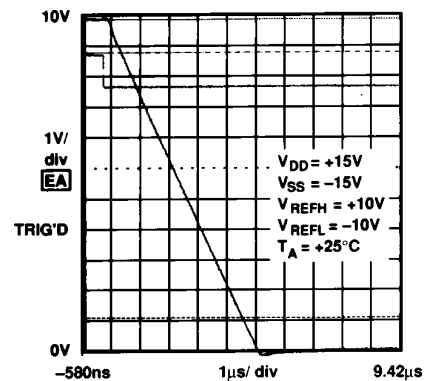
Settling Time (Positive)



Settling Time (Negative)

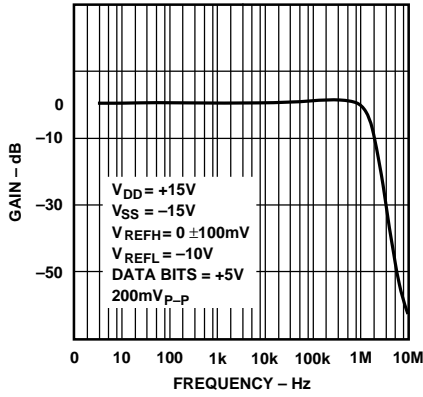


Positive Slew Rate

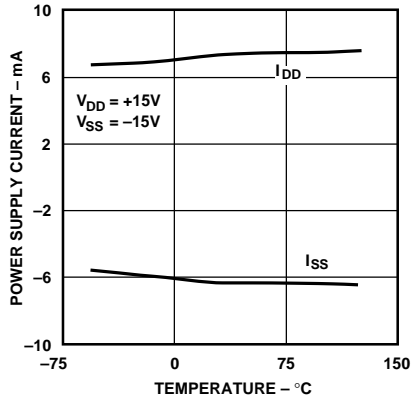


Negative Slew Rate

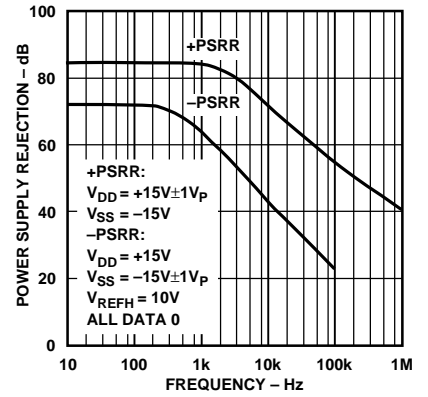
DAC8412/DAC8413



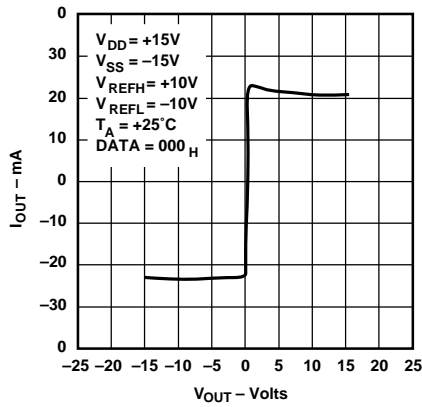
Small Signal Response



Power Supply Current vs. Temperature



PSRR vs. Frequency

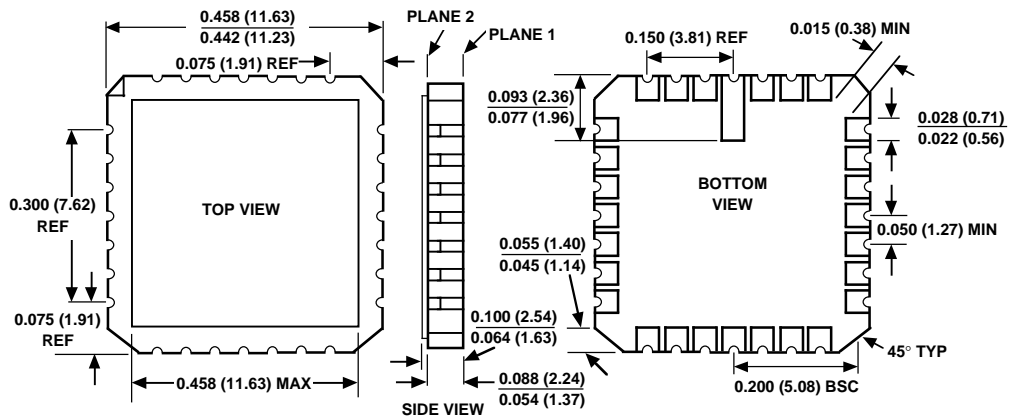


I_{OUT} vs. V_{OUT}

OUTLINE DIMENSIONS

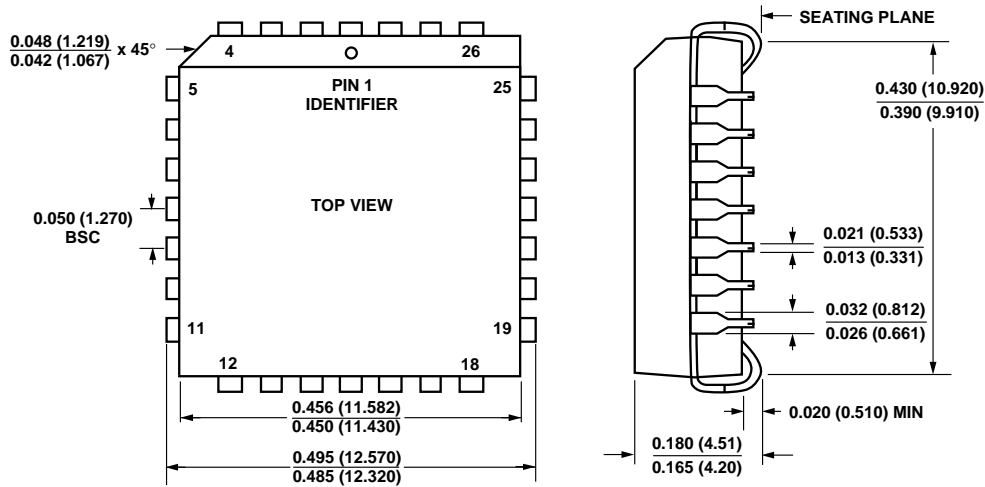
Dimensions shown in inches and (mm).

28-Position Leadless Chip Carrier (TC Suffix)

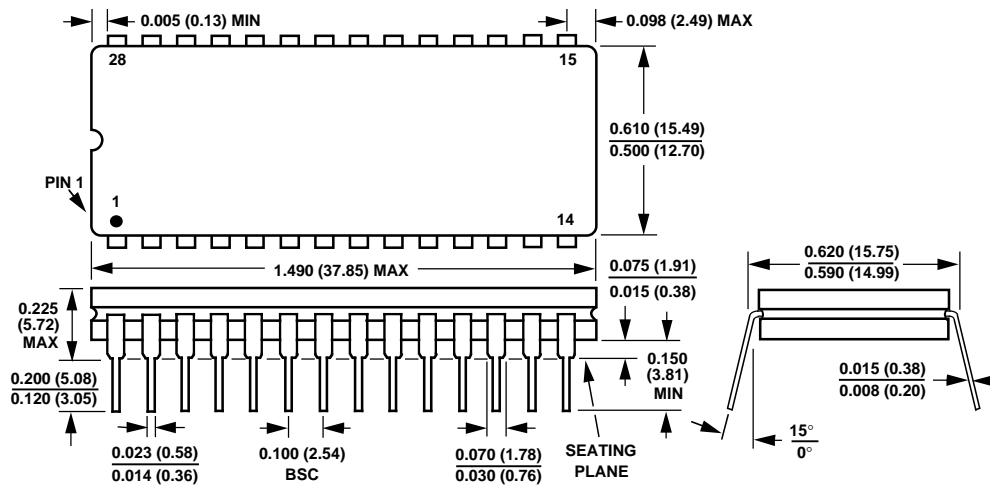


DAC8412/DAC8413

28-Lead PLCC (PC Suffix)



28-Lead Cerdip (T Suffix)



28-Lead Epoxy DIP (P Suffix)

